

STATIONARY BATTERY INFORMER

U.S PATENT NO. 6,992,487



Shown: BI-100-130V-300-92N

The La Marche Stationary Battery Informer (BI) is a breakthrough in technology. This tester can be installed in any battery system. The BI can determine the condition of your batteries under load without disrupting the system operation. The battery and charger are never disconnected from the load even during the test. The intelligent tester control circuit will not allow testing to take place while the batteries are being used in an emergency situation or if they are recharging from a recent discharge. It will also signal if the tester has failed and/or the charging system is inoperative.

The Battery Informer performs a factory set 1 minute (adjustable to 2 or 3 minutes) patented test to check whether the battery has good, missing, open, or sulfated cells and displays results. If the tester detects suspected sulfation, an automatic equalize cycle can be initiated on a charger equipped with a remote equalize feature. The test can be initiated manually or the controller can be programmed to automatically perform the test periodically.

This patented BI has the capability to store battery discharge curve as a benchmark to analyze battery health trends. The Battery Informer offers an optional DNP3 or MODBUS communication interface. This allows downloadings of test results to a computer and compare with previous test performed on the battery.

The Battery Informer is available in several models covering battery strings of 24, 48 and 130 Volts with capacities ranging from 25 to 1000 ampere hours. Contact the factory for other system ratings.

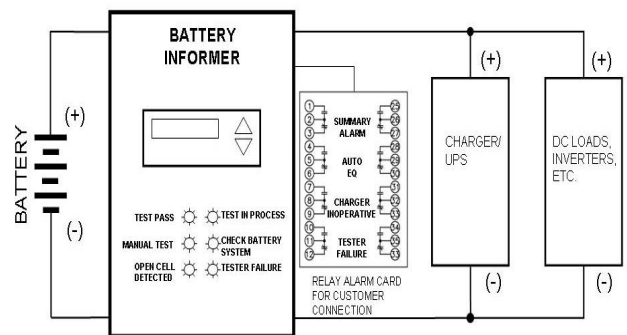
Standard Features

- Online Battery Test System
- Manual Test Mode
- Programmable Auto Test Interval (Adjustable 1 to 120 day interval)
Battery and charger are never disconnected from load
- Automatic Self-Diagnostic
- LCD Display
- LED's provided for:
 - Test Pass
 - Test in Process
 - Manual Test
 - Check Battery System
 - Open Cell Detected
 - Tester Failure
- Remote Auto Equalize Control (2) Sets of Form "C"
- Summary Failure Alarm (2) Sets of Form "C"
- Charger Inoperative Alarm Contacts (2) Sets of Form "C"
- Tester Failure Alarm Contacts (2) Sets of Form "C"
- Summary Failure is defined as any of the following Alarms: Open Cell, Possible Battery or Tester Failure.

Optional Accessories

- 068** Audible Alarm with Silence Switch
Uses (1) set of Summary contacts
- 21P** DNP3 Communications Protocol
- 21Q** Modbus Communications Protocol
- 19Q** Quadrant System (Refer to Quadrant System guide)*

*La Marche Mfg. Co. does not provide the wires/hardware necessary to connect to the battery at these taps (18 AWG is recommended).



Battery Informer (BI) Models

24VDC	Case Size	4B	4B	4B	4B	4B	4	4	4	4	4	4
	Battery Amp Hour Range	25-50	51-100	101-150	151-300	301-400	401-500	501-600	601-700	701-800	801-900	901-1000
	Continuous Load 0-100A	BI-100-24V-50	BI-100-24V-100	BI-100-24V-150	BI-100-24V-300	BI-100-24V-400	BI-100-24V-500	N/A	N/A	N/A	N/A	N/A
	Continuous Load 0-200A	N/A	N/A	N/A	N/A	N/A	N/A	BI-200-24V-600	BI-200-24V-700	BI-200-24V-800	BI-200-24V-900	BI-200-24V-1000
	Continuous Load 0-400A	N/A	N/A	N/A	N/A	N/A	N/A	BI-400-24V-600	BI-400-24V-700	BI-400-24V-800	BI-400-24V-900	BI-400-24V-1000

48VDC	Case Size	4B	4B	4B	4	4	4	4	4	4	4	4
	Battery Amp Hour Range	25-50	51-100	101-150	151-300	301-400	401-500	501-600	601-700	701-800	801-900	901-1000
	Continuous Load 0-100A	BI-100-48V-50	BI-100-48V-100	BI-100-48V-150	BI-100-48V-300	BI-100-48V-400	BI-100-48V-500	N/A	N/A	N/A	N/A	N/A
	Continuous Load 0-200A	N/A	N/A	N/A	N/A	N/A	N/A	BI-200-48V-600	BI-200-48V-700	BI-200-48V-800	BI-200-48V-900	BI-200-48V-1000
	Continuous Load 0-400A	N/A	N/A	N/A	N/A	N/A	N/A	BI-400-48V-600	BI-400-48V-700	BI-400-48V-800	BI-400-48V-900	BI-400-48V-1000

130VDC	Case Size	4B	4B	4	4	4	4	9	9	9	9	9	
	Battery Amp Hour Range	25-50	51-100	101-150	151-300	301-400	401-500	501-600	601-700	701-800	801-900	901-1000	
	Continuous Load 0-100A	BI-100-130V-50	BI-100-130V-100	BI-100-130V-150	BI-100-130V-300	BI-100-130V-400	BI-100-130V-500	N/A	N/A	N/A	N/A	N/A	
	Continuous Load 0-200A	N/A	N/A	N/A	N/A	N/A	N/A	N/A	BI-200-130V-600	BI-200-130V-700	BI-200-130V-800	BI-200-130V-900	BI-200-130V-1000
	Continuous Load 0-400A	N/A	N/A	N/A	N/A	N/A	N/A	N/A	BI-400-130V-600	BI-400-130V-700	BI-400-130V-800	BI-400-130V-900	BI-400-130V-1000

Case Specifications

Case No.	Overall Dimensions			Approximate Unit Shipping Weight		Mounting
	Width	Depth	Height*	lbs	kgs	
	in	in	in			
4B	16.878	15.000	14.050	60	27.3	19/23" RACK, WALL / FLOOR
4	16.878	15.000	25.875	105	47.7	19/23" RACK, WALL / FLOOR
9	20.735	15.000	37.875	180	81.8	23" RACK, WALL / FLOOR

* Including floor mounting bracket

Model Number Nomenclature

BI - 100 - 24V - 50 - () - ()

Continuous Load	DC Voltage	Battery Informer ** AMP Hour Rating	Number & Type of Battery Cells ***
100	24V	50	12L
200	48V	100	23L/24L
400	130V	150	58L/60L
		300	18-20 N
		400	35-40 N
		500	90-95 N
		600	
		700	***Consult factory for other types of batteries
		800	
		900	
		1000	L - Lead acid N - Nickel Cadmium

**Consult factory for Battery Amp Hour Ranges over 1000A

Ordering Information

When ordering, please specify:

- La Marche Model Number BI (Battery Informer)
- Continuous Load (Load current draw under normal operations)
- DC Voltage
- Battery Amp Hour Rating
- Number & Type of Battery Cells
- Optional Accessories